

# Questions To Ask When Taking A Detroit Diesel Order

## Engine Identification

### What is the engine model number?

The engine model number is found on the engine block. Left-hand rotation engines have the number located on the left side of the block when viewed from the rear of the engine. Right-hand rotation engines have the number located on the right side of the block. Most engines are right hand rotation. Use the engine model number and the chart below to identify the engine.

Shown below is a sample Detroit Diesel Engine Model Number.  
Use the chart to convert the engine model number into a usable catalog model code.

Fill in blanks for your application  
Sample engine model number

7 0 8 2 -- 7 0 0 1

Series	Number of Cylinders	Application Designation	Basic Engine Arrangement	Design Variation Number	Specific Model
5 = 53	02 = 2	2 = Marine	1 – 4 = Left hand rotation	0 = N Engine	Not needed
1 = 71 inline	04 = 4	3 = Industrial	5 – 8 = Right hand rotation	1 = Two valve head	
7 = 71 V	06 = 6	4 = Power Unit		2 = Four valve head (all but 71 series inline)	
8 = 92 V	08 = 8	5 = Generator		2 matched with a 71 series inline = E engine	
	12 = 12	7 = Automotive		3 = T engine (turbocharged)	
		8 = Special		4 = A engine (aftercooled)	
				5 = Customer Specified Engine	
				6 = California Cert. (TTAE)	

Sample catalog model code

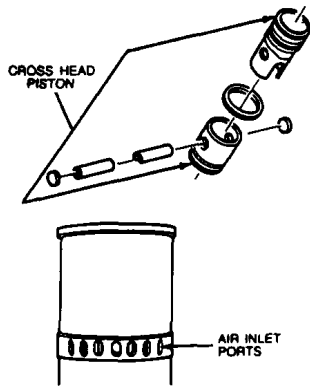
8 V -- 71 N

This space will sometimes be blank

Fill in the blanks to identify your application.  
Some applications might not fill all of the blanks.

Second space blank unless working with V engine

## Sleeve Assemblies:



Is the engine equipped with a one piece trunk-type piston or two piece cross head piston?

If two piece pistons are used, get the O.E. piston part number.

What is the port height in the sleeve?

It is either 1.05" or .95" A quarter dollar will fit in the 1.05 inch port but not the .95 inch port.

Does the engine require oversized outside diameter sleeves?

If yes, what size? Options include .001", .010", and .020".

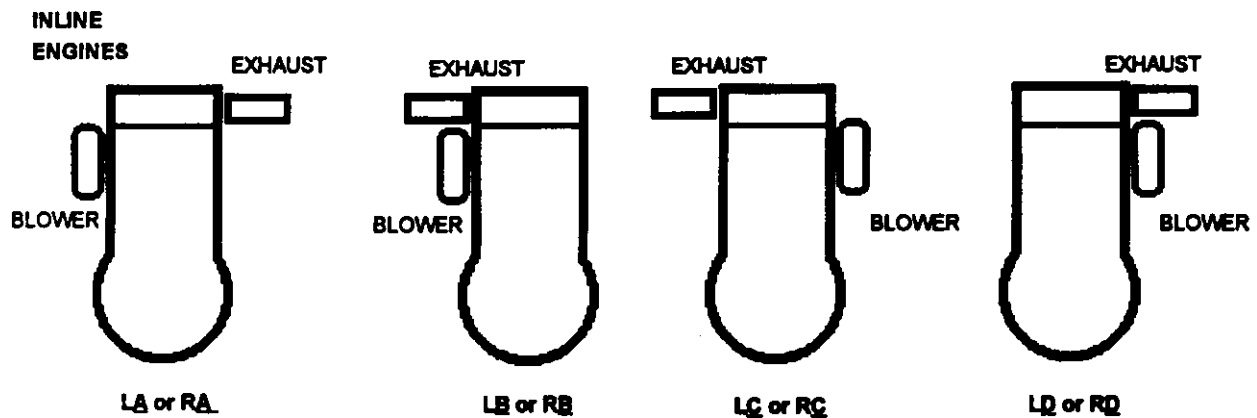
## Camshaft Selection

Is the engine left-hand or right-hand rotation?

The engine model number and the chart on the other side of this sheet will identify engine rotation.

Where are the blower and exhaust manifold located (inline only)?

Use this information to identify the engine as an RA, LB, LC, or RD. The first letter indicates right or left hand rotation. The second letter identifies the location of the blower and exhaust manifold. See illustration below.



ALL VIEWS FROM FLYWHEEL (REAR) OF ENGINE  
 "L" OR "R" DESIGNATION DEPENDS ON DIRECTION OF ENGINE ROTATION.  
 ENGINE ROTATION DETERMINED BY VIEWING THE ROTATION OF THE VIBRATION DAMPER.  
 CLOCKWISE ROTATION = R; COUNTER-CLOCKWISE ROTATION = L