

# DETROIT DIESEL ENGINES MODEL DESCRIPTION and SERIAL NUMBER LOCATION.

Series: 149, Inline 53, V53, 60, Inline 71, V71, V92.

PDF Service and Operation Manuals, and Spare Parts Catalogs <http://engine.od.ua>

## Series 149 Model Description Chart and Serial Number Location Application, Rotation and Design Variations

<b>9</b>	<b>12</b>	<b>2</b>	<b>-</b>	<b>7</b>	<b>0</b>	<b>00</b>
Series 149	Number Of Cylinders	Application Designation (see below)		Basic Engine Arrangement (see below)	Design Variation (see below)	Specific Model Number

### Application Designations

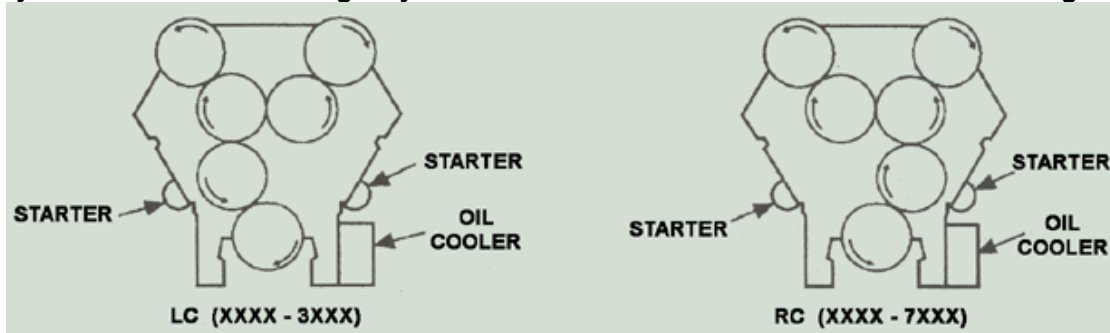
9122 - 7000 Marine  
9123 - 7000 Industrial Fan thru Flywheel

### Design Variations

9122 - 7000 Non-Turbocharged Engine  
9122 - 7300 Turbocharged, Intercoolers Optional  
9122 - 7400 Turbochargers, Intercoolers, Bypass Blowers  
9122 - 7C00 DDEC Engine Controls  
9122 - 7K00 DDEC Engine Controls

### Basic Engine Arrangements

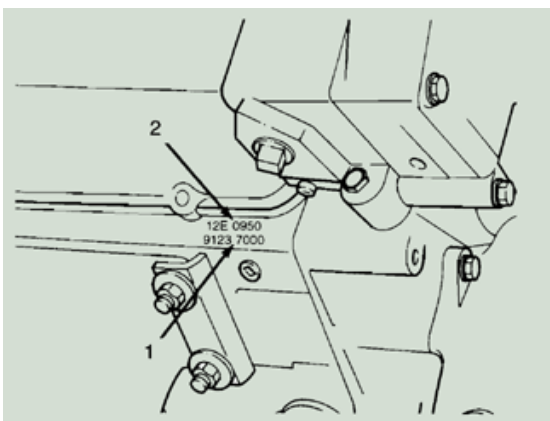
Rotation: **L** (left) and **R** (right) designates rotation as viewed from the **front** of the engine.  
Cylinder Banks: Left and right cylinder banks are determined from the **rear** of the engine.



### ALL VIEWS FROM REAR (FLYWHEEL) END OF ENGINE

The unit serial number and model number of 8V engines are stamped on the rocker cover rail at the left, rear corner of the block (as viewed from the flywheel end). The unit serial number and model number on 12V, 16V and 20V engines are stamped on the rocker cover rail at the right, front corner of the block (as viewed from the flywheel end).

An example of a Series 12V149 serial number is **12EXXXXXXX**. The engine serial number is required when placing a parts order. Model number **9122-7000** is interpreted as follows: Series 149 Engine (**9**), twelve cylinder (**12**), marine engine (**2**), right-hand rotation with "C" accessory arrangement (**7**), non-turbocharged engine (**0**), and specific model variation Number 00 (**00**).



1. Engine Model Number
2. Engine Serial Number

# Series Inline 53 Model Description Chart

Application, Rotation and Design Variations

**5**   **04**   **3**   -   **5**   **1**   **00**

Series 53   Number Of Cylinders   Application Designation (see below)   Basic Engine Arrangement (see below)   Design Variation (see below)   Specific Model Number

## Application Designation

5042 - 5100 Marine  
 5043 - 5100 Fan to F/W Industrial  
 5044 - 5100 Power Base  
 5045 - 5100 Generator

## Design Variation

5043 - 5000 "N" Engine Head  
 5043 - 5100 2 Valve Head  
 5043 - 5200 4 Valve Head  
 5043 - 5300 Turbocharged

## Specific Model Number

If Last Digit is an Odd Number, Starter Is Located Opposite of Blower.  
 If Last Digit is an Even Number, Starter is Located Same Side of Blower.

### 2, 3 and 4-53 Basic Engine Arrangements

Rotation: **R** (right) and **L** (left) designates rotation as viewed from the **front** of the engine.

Type: **A-B-C-D** designates location of exhaust manifold and blower as viewed from the **flywheel end** of the engine.

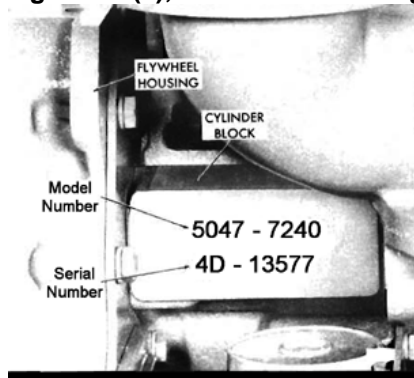


ALL VIEWS FROM REAR (FLYWHEEL) END OF ENGINE

On the in-line engines, the model number and serial number are stamped on the right-hand side of the cylinder block in the upper rear corner.

An example of a Series 4-53 serial number is **04DXXXXXXX**. Engines built in Brazil have a serial number prefix of 3DB (three cylinder), and 4DB (four cylinder). The engine serial number is required when placing a parts order.

Model number **5043-5100** is interpreted as follows: Series 53 Engine (**5**), four cylinder (**04**), industrial, fan to flywheel (**3**), right-hand rotation with "A" accessory arrangement (**5**), two-valve head engine (**1**), and specific model Number 00 (**00**).



## Series V 53 Model Description Chart

Application, Rotation and Design Variations

<b>5</b>	<b>06</b>	<b>3</b>	-	<b>5</b>	<b>2</b>	<b>00</b>
Series 53	Number Of Cylinders	Application Designation (see below)		Basic Engine Arrangement (see below)	Design Variation (see below)	Specific Model Number

### Application Designation

5062 - 3000 Marine  
 5063 - 5200 Fan to F/W  
 Industrial  
 5064 - 5200 Power Base  
 5065 - 5200 Generator

### Application Designation

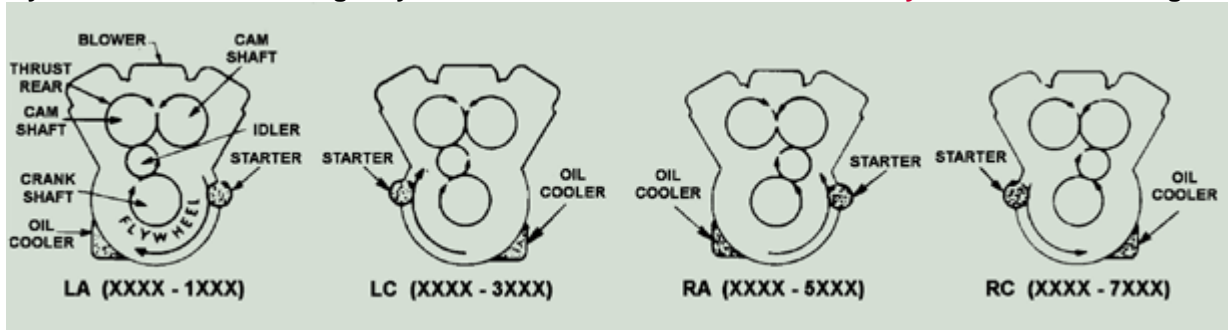
5067 - 5040 Fan to F/W Vehicle  
 5082 - 5000 Marine  
 5083 - 5000 Fan to F/W Industrial  
 5087 - 5040 Fan to F/W Vehicle

### Design Variation

5062 - 3000 "N" Engine  
 5063 - 5200 4 Valve  
 Head  
 5067 - 5340 Turbocharged

### Basic Engine Arrangements

Rotation: **R** (right) and **L** (left) designates rotation as viewed from the **front** of the engine.  
 Type: **A** and **C** designates location of starter and oil cooler as viewed from the **flywheel end** of the engine.  
 Cylinder Bank: Left and right cylinder banks are determined from the **flywheel end** of the engine.

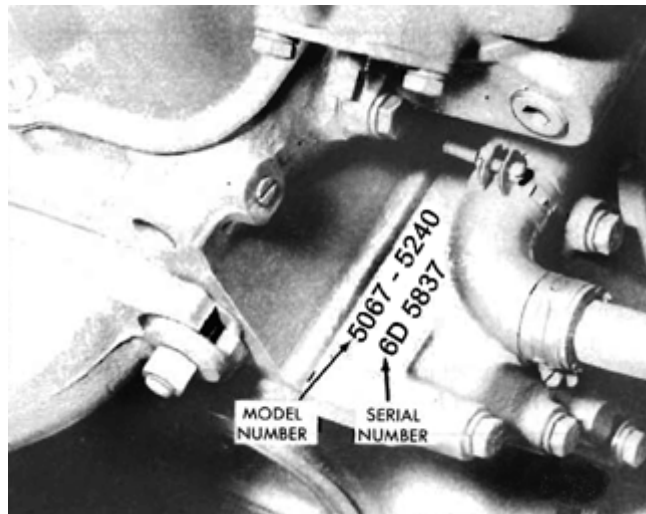


ALL VIEWS FROM REAR (FLYWHEEL) END OF ENGINE

The model number and serial number on the V 53 engines are located on the top right-hand front corner of the cylinder block, as viewed from the rear of the engine.

An example of a Series 6V53 serial number is **06DXXXXXXX**. Engines built in Brazil have a serial number prefix of 6DB (six cylinder). The engine serial number is required when placing a parts order.

Model number **5063-5200** is interpreted as follows: Series 53 Engine (**5**), six cylinder (**06**), industrial, fan to flywheel (**3**), right-hand rotation with "A" accessory arrangement (**5**), four-valve head engine (**2**), and specific model Number **00** (**00**).



## Series 60 Model Description Chart and Serial Number Location

6	067	-	W	K	60
Series 60	Number Of Cylinders	Application Designation (see below)	Displacement (see below)	Engine Control (see below)	Customer Designation (see below)

### Application Designations

- 2** = Marine Application
- 3** = Industrial Fan thru Flywheel
- 5** = Generator Application
- 7** = Vehicle Fan thru Flywheel

### Displacement

- B** = 12.7 Liter Premium
- E** = 11.1 Liter
- F** = 14.0 Liter
- G** = 12.7 Liter Standard
- H** = 14.0 Liter
- L** = 11.1 Liter

### Displacement

- M** = 12.7 Liter Standard
- P** = 12.7 Liter Premium
- S** = 11.1 Liter
- T** = 12.7 Liter
- W** = 11.1 Liter

### Engine Control

- T** = DDEC I
- U** = DDEC II
- K** = DDEC III or IV

### Customer Designation

- 28** = Buses 1991 and Later
- 32** = Underground Mining
- 40** = 1991 and Earlier
- 60** = 1991 and Later On-Highway Trucks

Located on the left side of the valve cover is an option plate showing the engine serial number, model number and any optional equipment used on the engine. If the option plate is missing the engine serial number is stamped on the cylinder block below the manifolds. An example of a Series 60 serial number is **06RXXXXXX**. The engine serial number is required when placing a parts order.

Model number **6067-WK60** represents an 11.1 liter Series 60 engine that is controlled with DDEC III or IV electronics to be used in a 1991 or later truck.

# Series Inline 71 Model Description Chart and Serial Number Location

## Application, Rotation and Design Variations

<b>1</b>	<b>06</b>	<b>5</b>	<b>-</b>	<b>7</b>	<b>0</b>	<b>01</b>
Series Inline 71	Number Of Cylinders	Application Designation (see below)		Basic Engine Arrangement (see below)	Design Variation (see below)	Specific Model Number

### Application Designations

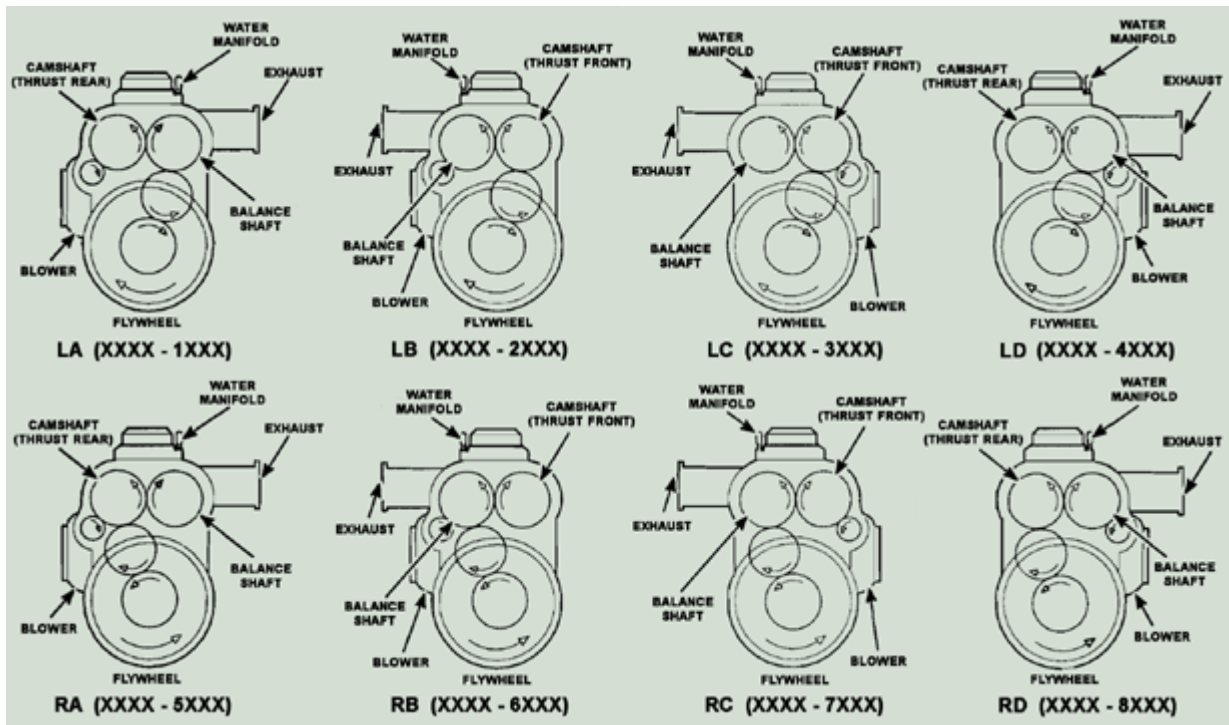
- 1062 - 7001 Marine
- 1063 - 7001 Industrial F to F
- 1064 - 7001 Power Base
- 1065 - 7001 Generator
- 1067 - 7001 Vehicle F to F
- 1068 - 7001 Vehicle F to F

### Design Variations

- 1062 - 7001 4 Valve Head "N" Engine
- 1062 - 7101 2 Valve Head Engine
- 1062 - 7201 4 Valve Head "E" Engine
- 1062 - 7301 Turbocharged Engine
- 1062 - 7501 Customer Spec. Engine
- 1067 - 7701 Constant Horsepower

### Basic Engine Arrangements

Rotation: **L** (left) and **R** (right) designates rotation as viewed from the **front** of the engine.  
 Type: **A-B-C-D** designates the accessory arrangements.



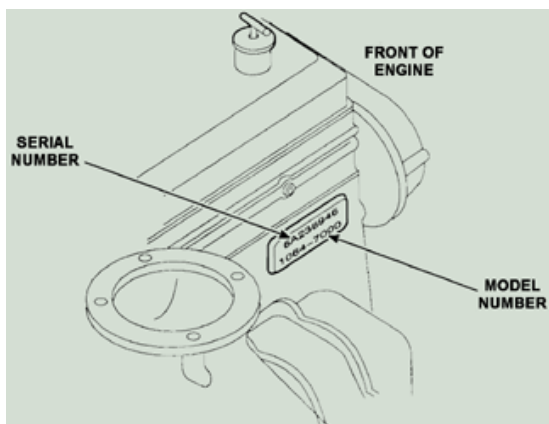
ALL VIEWS FROM REAR (FLYWHEEL) END OF ENGINE

### Drive Shaft Rotations

1122 - 0001 Left-Hand

1122 - 9001 Right-Hand

Shaft rotation on multiple units is determined from the **rear** of the unit.



The engine serial number and engine model number is stamped on all inline 71 series cylinder blocks as shown below. The engine serial and model number is also printed on the option label attached to the valve cover. An example of a Series Inline 71 serial number is **06AXXXXXXX**. The engine serial number is required when placing a parts order.

Model number **1065-7001** is interpreted as follows: Inline Series 71 Engine (**1**), six cylinder (**06**), generator set (**5**), right-hand rotation with "**C**" accessory arrangement (**7**), four-valve head "N" engine (**0**), and specific model variation Number 01 (**01**).

# Series V 71 Model Description Chart

## Application, Rotation and Design Variations

<b>7</b>	<b>08</b>	<b>2</b>	<b>-</b>	<b>7</b>	<b>2</b>	<b>01</b>
Series Inline 71	Number Of Cylinders	Application Designation (see below)		Basic Engine Arrangement (see below)	Design Variation (see below)	Specific Model Number

### Application Designations    Design Variations

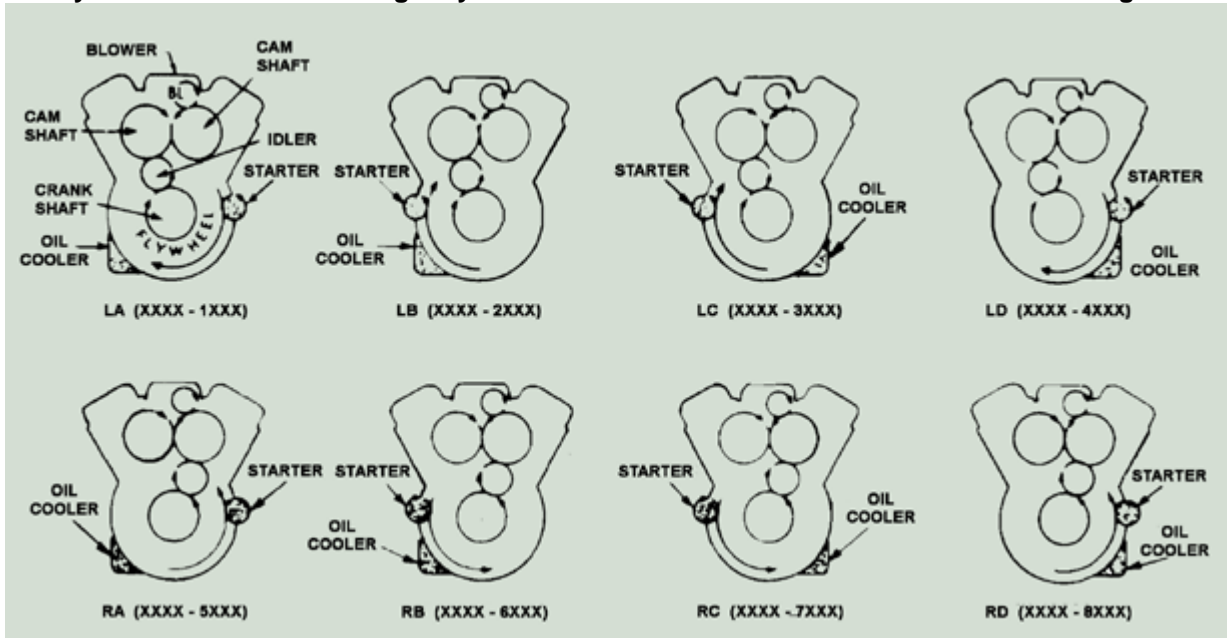
<p>7082 - 7200 Marine                  7083 - 7200 Industrial F to F                  7084 - 7200 Power Base                  7085 - 7200 Generator                  7087 - 7000 Vehicle F to F                  7088 - 7000 Vehicle F to F</p>	<p>7082 - 7000 V71 "N" Engine                  7082 - 7100 2 Valve Head Engine                  7082 - 7200 4 Valve Head Engine                  7082 - 7300 Turbocharged Engine                  7082 - 7400 Turbocharged Aftercooled                  7082 - 7500 Customer Spec. Engine</p>
---	---

### Design Variations

7087 - 7600 Constant H.P. Economy (TAE) (California Certified)  
 7087 - 7700 Constant Horsepower (TT)  
 7087 - 7800 Constant Horsepower (TTA) (California Certified)  
 7087 - 7900 Constant H.P. Economy (TTAE) (California Certified)

### Basic Engine Arrangements

Rotation: **L** (left) and **R** (right) designates rotation as viewed from the **front** of the engine.  
 Type: **A-B-C-D** designates location of starter and oil cooler as viewed from the **rear** of the engine.  
 Cylinder Banks: Left and right cylinder banks are determined from the **rear** of the engine.



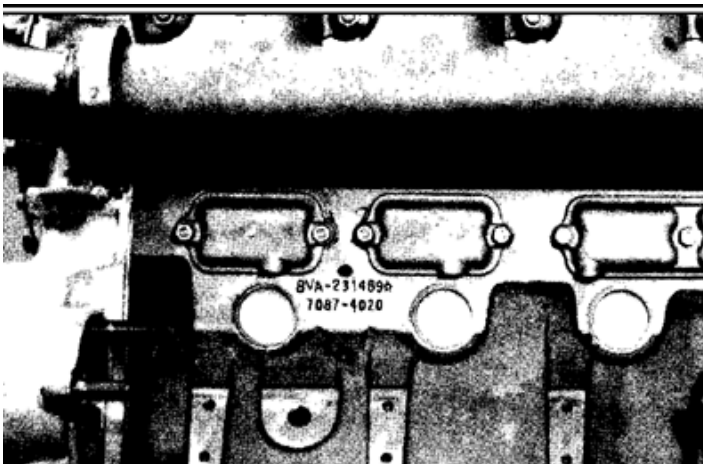
ALL VIEWS FROM REAR (FLYWHEEL) END OF ENGINE

### Drive Shaft Rotations

7242 - 0200 Left-Hand

7242 - 9200 Right-Hand

Shaft rotation on multiple units is determined from the **rear** of the unit.



The engine serial number and model number are stamped on the cylinder block in the following locations (as viewed from the flywheel end). The left side, upper front corner of current 6V and 8V cylinder blocks and the right side, upper rear corner of current 12V and 16V blocks and former 6V and 8V blocks. An example of a Series 8V71 serial number is **08VAXXXXXX**. The engine serial number is required when placing a parts order.

Model number **7082-7201** is interpreted as follows: V Series 71 Engine (**7**), eight cylinder (**08**), marine (**2**), right-hand rotation with "C" accessory arrangement (**7**), four-valve head engine (**2**), and specific model variation Number 01 (**01**).

# Series V 92 Model Description Chart and Serial Number Location

## Application, Rotation and Design Variations

<b>8</b>	<b>08</b>	<b>3</b>	<b>-</b>	<b>7</b>	<b>0</b>	<b>00</b>
Series V92	Number Of Cylinders	Application Designation (see below)		Basic Engine Arrangement (see below)	Design Variation (see below)	Specific Model Number

### Application Designations

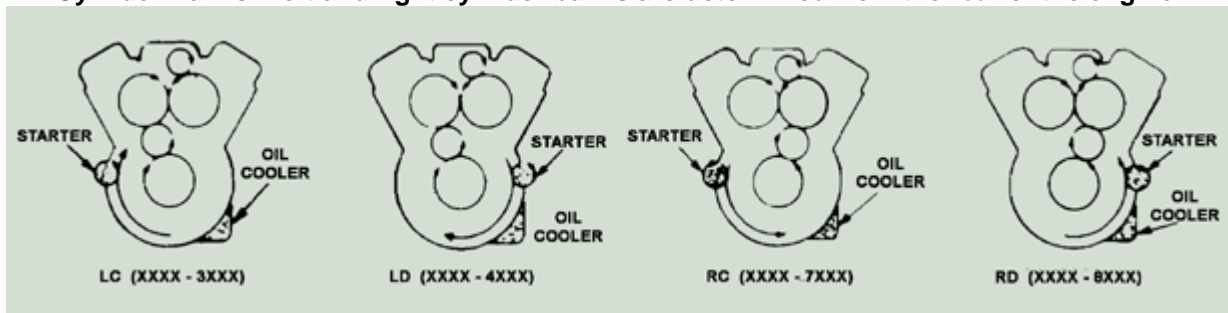
8082 - 7000 Marine  
 8083 - 7000 Industrial Fan thru  
 Flywheel  
 8085 - 7000 Generator  
 8087 - 7000 Vehicle Fan thru  
 Flywheel

### Design Variations

8083 - 7000 4 Valve Head Engine  
 8083 - 7300 Turbocharged Engine  
 8083 - 7400 Aftercooled Engine  
 8083 - 7500 Customer Special Engine  
 8083 - 7700 Turbo Torque  
 8083 - 7800 Aftercooled Turbo Torque  
 8083 - 7T60 Turbocharged Electronic Controls

### Basic Engine Arrangements

Rotation: **L** (left) and **R** (right) designates rotation as viewed from the **front** of the engine.  
 Type: **A-B-C-D** designates location of starter and oil cooler as viewed from the **rear** of the engine.  
 Cylinder Banks: Left and right cylinder banks are determined from the **rear** of the engine.



ALL VIEWS FROM REAR (FLYWHEEL) END OF ENGINE

The engine serial number and model number are stamped on the cylinder block in the following location (as viewed from the flywheel end) the right side, upper front corner of current 6V and 8V cylinder blocks. See figure 1.

On former 6V and 8V blocks and current 12V and 16V blocks the engine serial number and model number is stamped on the right side, upper rear corner. See figure 2.

An example of a Series 8V92 serial number is **08VFXXXXXXX**. The engine serial number is required when placing a parts order.

Model number **8083-7000** is interpreted as follows: Series V92 Engine (**8**), eight cylinder (**08**), industrial engine (**3**), right-hand rotation with "C" accessory arrangement (**7**), four-valve head "N" engine (**0**), and specific model variation Number 01 (**00**).



Figure 1

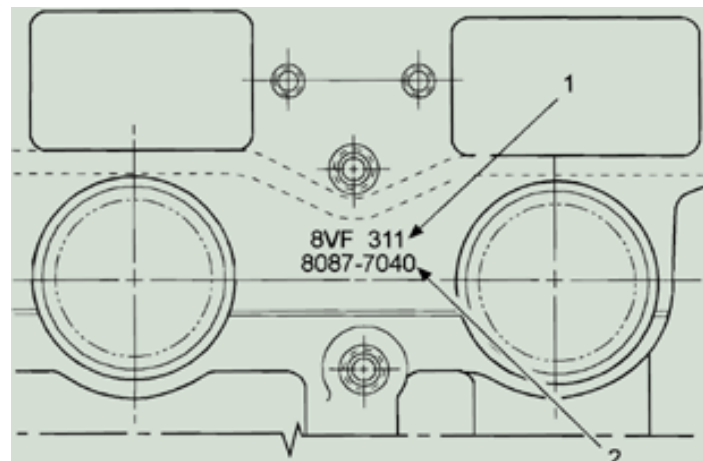


Figure 2